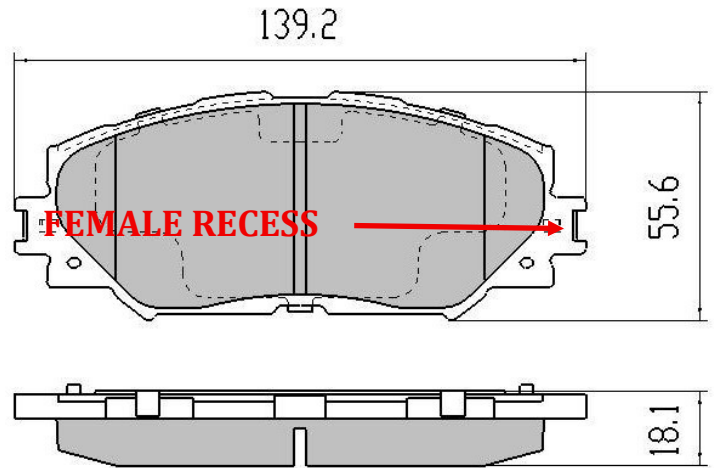
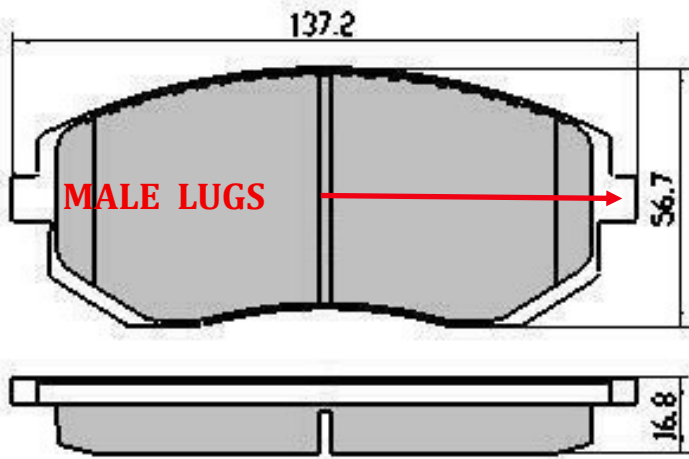


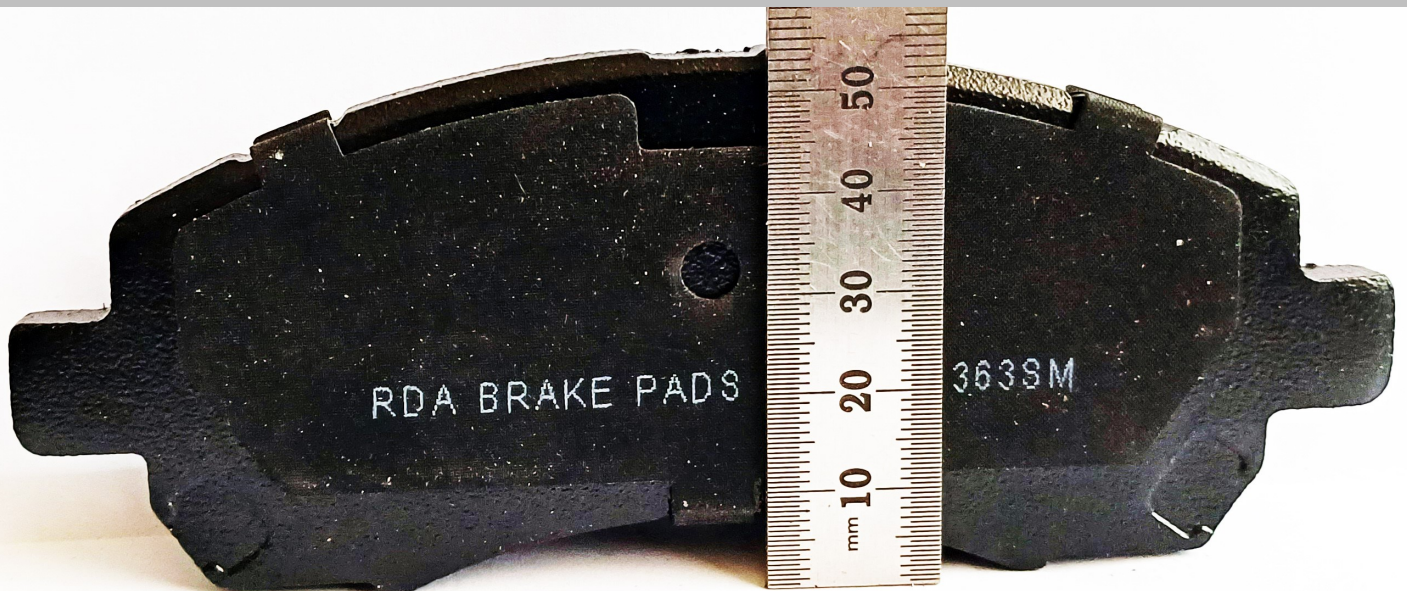
## PAD DIMENSIONS & REORDER

**Note:** Length & Width are measured from the metal backing plate.  
 All backing plates & anti rattle shims have SKU # printed/stamped.  
 If readable, quote this number—we have cross reference tables.  
 Most pads are located in the Caliper by location lugs—Male or Female.  
 A small number of pads are located by holes pinned at the top of the pad.



### ACCURATE WIDTH (HEIGHT) MEASUREMENT:

1. Place base of pad on a flat surface.
2. Measure to highest point of Backing Plate excluding Anti Rattle Plate.



**AVOID MISTAKES: Ring Parts Interpreter with critical measurements**

**A—LOCATION TYPE    B—LENGTH    C—WIDTH    D—SKU #**

**Supply critical dimensions:**

**AUMOTORSPORT GUARANTEE**

**RIGHT PAD**

**ONTIME**

**EVERYTIME**