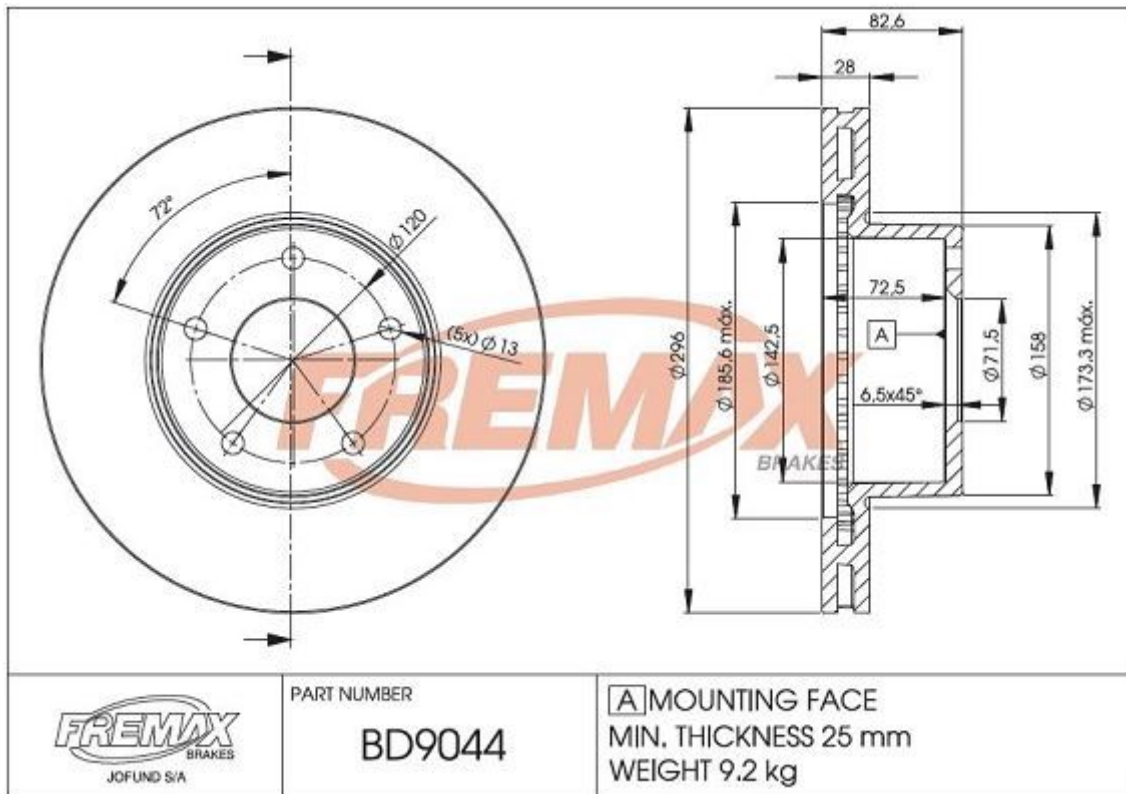


ROTORS DIMENSIONS & REORDER

EXAMPLE— TYPICAL DIMENSIONED DRAWING OF AN OEM ROTOR.

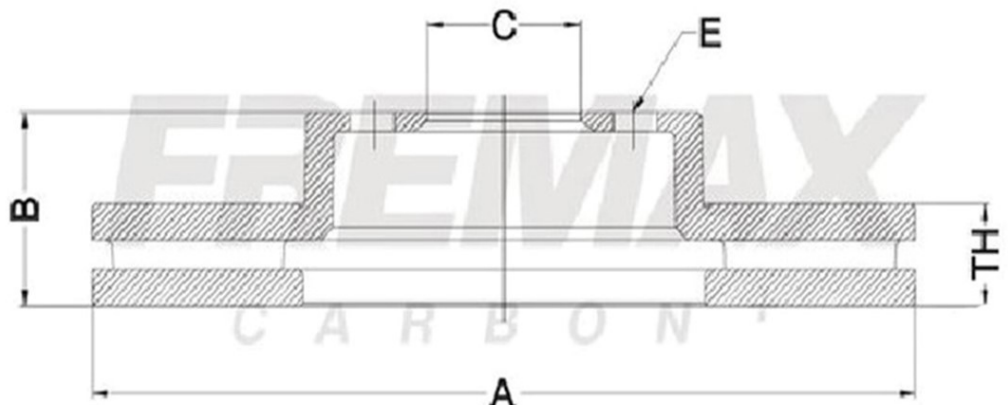


CRITICAL ROTORS DIMENSIONS ON REORDER

Rego & Vin lookups have mostly identified OEM replacement rotors. However, models with several configurations or manufactured in a number of Countries may have a number of rotor sizes.

If unsure & car is available, gather critical dimensions.

A	External Diameter	296.0mm
TH	Braking Thickness	28.0mm
Min TH	Minimum Thickness	26.0mm
B	Height	82.6mm
C	Centre Hole Diameter	71.5mm
E	Number of Fitment Holes	5



AVOID MISTAKES: Ring Parts Interpreter with critical measurements

A—DIAMETER B—TOTAL HEIGHT TH—THICKNESS

Supply critical dimensions:

AUMOTORSPORT GUARANTEE

RIGHT ROTOR

ONTIME

EVERYTIME